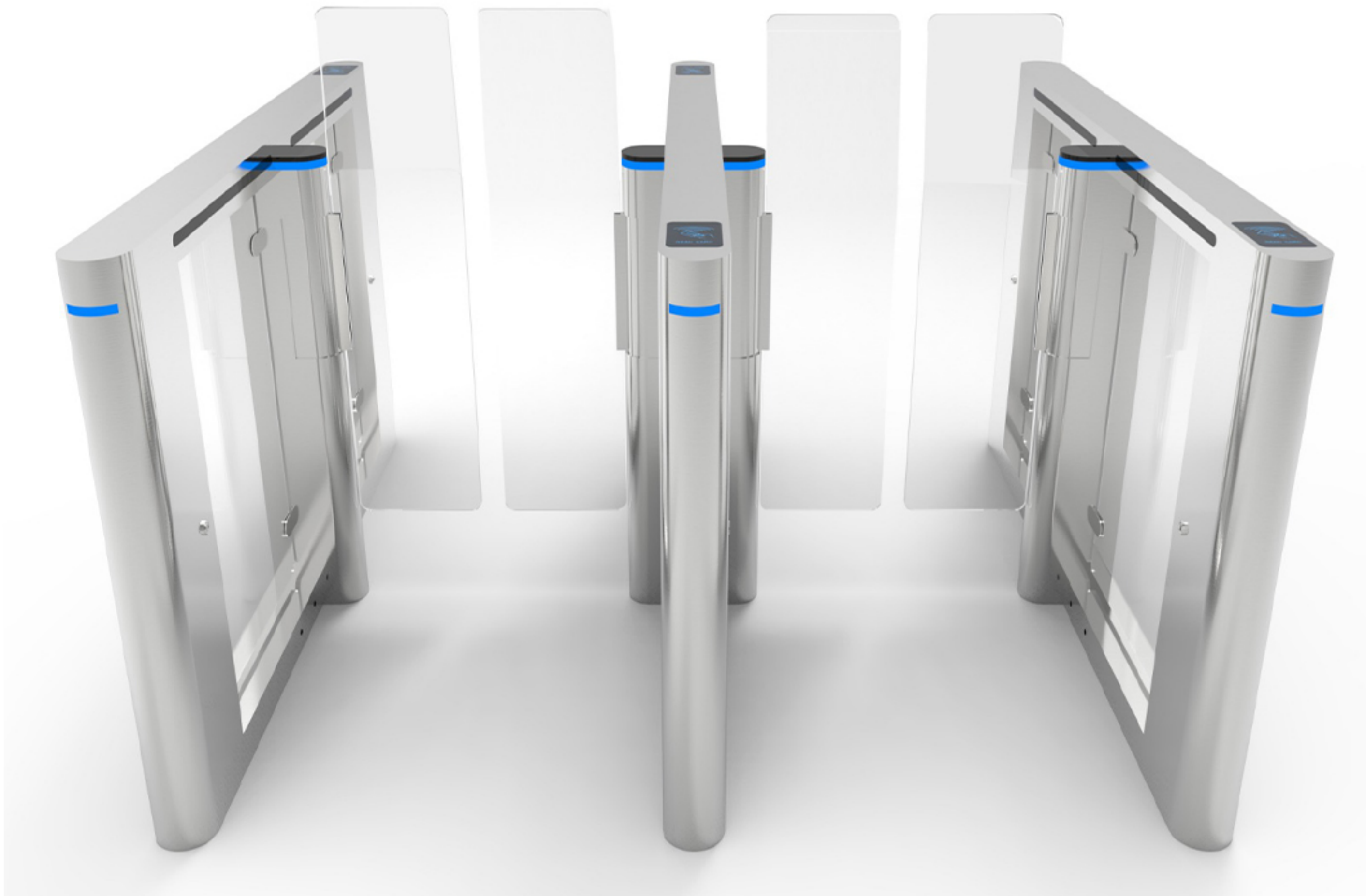




SPEEDSTILE

STR-WX-100

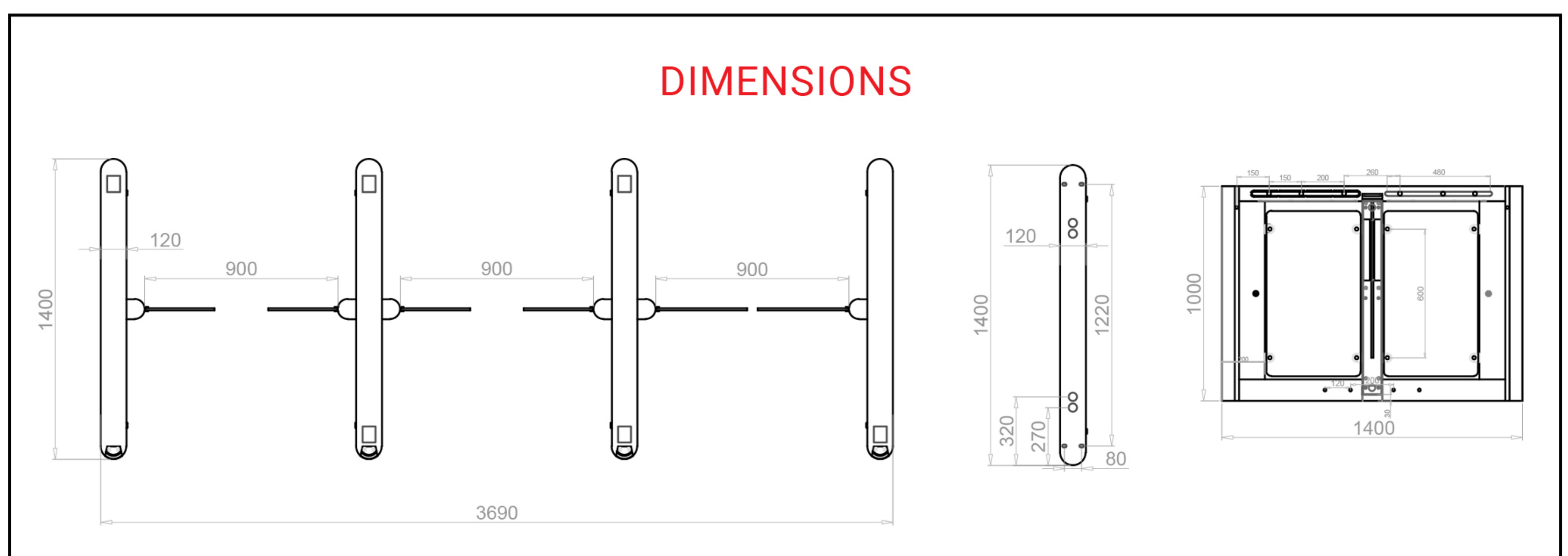


The STR-WX-100 Swing Type Speedstile is a sophisticated access control solution that balances security with high throughput, ensuring efficient and secure entry and exit for authorized personnel. Utilizing advanced sensor technology and rapid response mechanisms, speed gates are ideal for environments where both security and fast-paced pedestrian movement are priorities.

The Swing type Speedstile is a combination of well-crafted Stainless steel and faux glass panels. The design is engaging both in terms of its appearance, space occupation, the pedestrian logic and safety. This speedstile gate is sleek (120 mm wide right and left cabinet forming a lane) The Cabinet is 120 mm wide throughout its length of 1400mm.

The STR-WX-100 Pedestrian Swing Speedstile has at its heart, a DC Drive/Servo Motor that offer several years of trouble free operation. The reliability of the gate system of an MCBF of >_10 Million Cycles is proof of the robustness. The Speedstile is high on pedestrian safety as well with the 4/6 Pairs of Sensors to determine various pedestrian access logics and build in the extra safety.

The STR-WX-100 Speedstile is offered with width of 600mm for regular pedestrian access and 900mm for wheelchair or material access. These gates may also be offered in combination of standard and wide lanes depending on a requirement along with flap heights of 1400mm to ensure additional security to the premises.





SPEEDSTILE

STR-WX-100

DESCRIPTION	PARTICULAR
Make	The Stern
Model	STR-WX-100
Material of Construction	304 Stainless steel cabinet
Housing Material Thickness	7.5 mm
Housing Dimension (in mm)	Length 1400 X Width 120 X Height 1000
Swing Type Flap Dimensions (in mm)	Height 1400 X Width 425 X Thickness 10 (Height can be customised)
Swing Type Flap Material	Acrylic
Passage or Aisle Width	600mm with a variable gap of 50mm or as desired between glass wings for a Standard Lane & 900mm Passage width with a variable gap of 50mm or as desired between glass wings for a Handicap Lane.
No of PE Beam Sensors	4 pairs & 6 pairs customisable
Drive	Servo Motor
Flap Swing Speed	1-5 Seconds Adjustable
Hold Open Time	1s - 255s adjustable, default is 5s
Direction of Operation	Bi-Directional programable for Uni-direction operation as well
Power	AC 230V± 10V, 50Hz
Power Consumption	<100W
Working Temperature Condensation	-10° C to +60° C
Throughput	5 to 95%, ROH Non Condensing
Duty Cycle	30 Persons or more/ Min. excluding card validation time. 100%
Application	Indoor
Ingress Protection	IP 54
Emergency/Safety	Free passage when power off
MCBF	More than 10 Million Cycle
Noice during operation	Less than 50 dB

