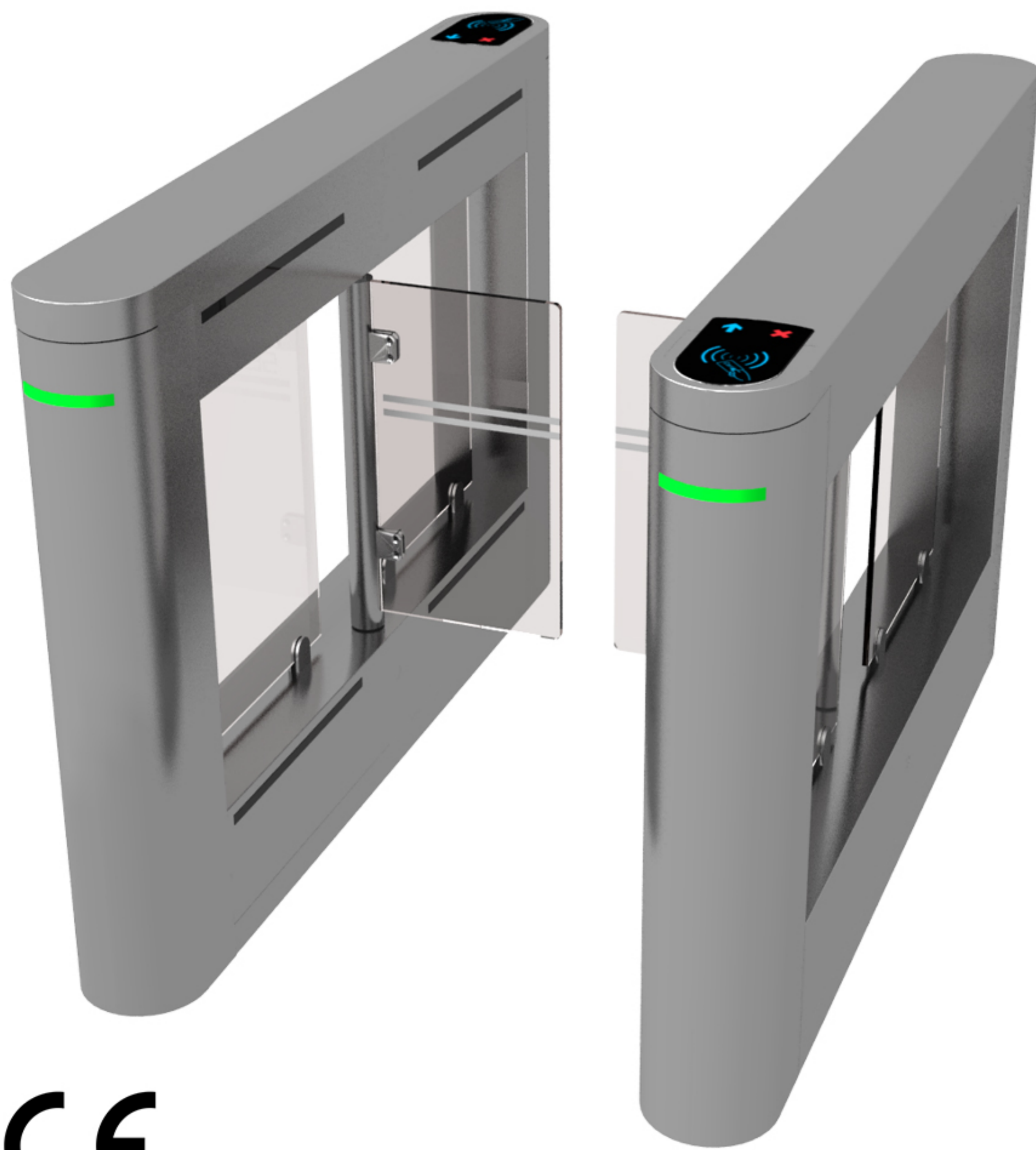




# SPEEDSTILE

STR-WX-160



CE

The STERN's STR-WX-160 Swing Type Speedstile boasts an elegant and ergonomic design, offering a sophisticated aesthetic. The modular design allows for customization to suit specific application requirements.

Stern's dedication to customer satisfaction is evident in its comprehensive product offerings and solutions. This approach provides customers with the flexibility to adopt new ideas and empowers architects to integrate unique designs into their architectural plans.

The Swing type Speedstile features a combination of well-crafted stainless steel and faux glass panels, resulting in a design that is both visually appealing and space-efficient.

With a remarkably slim profile (160 mm wide cabinets on each side), the STR-WX-160 is the slimmest and most elegantly designed speedstile available in the Indian market.

Powered by a reliable DC drive, the STR-WX-160 offers years of trouble-free operation. With an MCBF (Mean Cycles Between Failures) exceeding 5 million cycles, the gate system demonstrates exceptional ruggedness. The Speedstile prioritizes pedestrian safety with 7 pairs of sensors that accurately detect pedestrian movement and ensure safe passage.

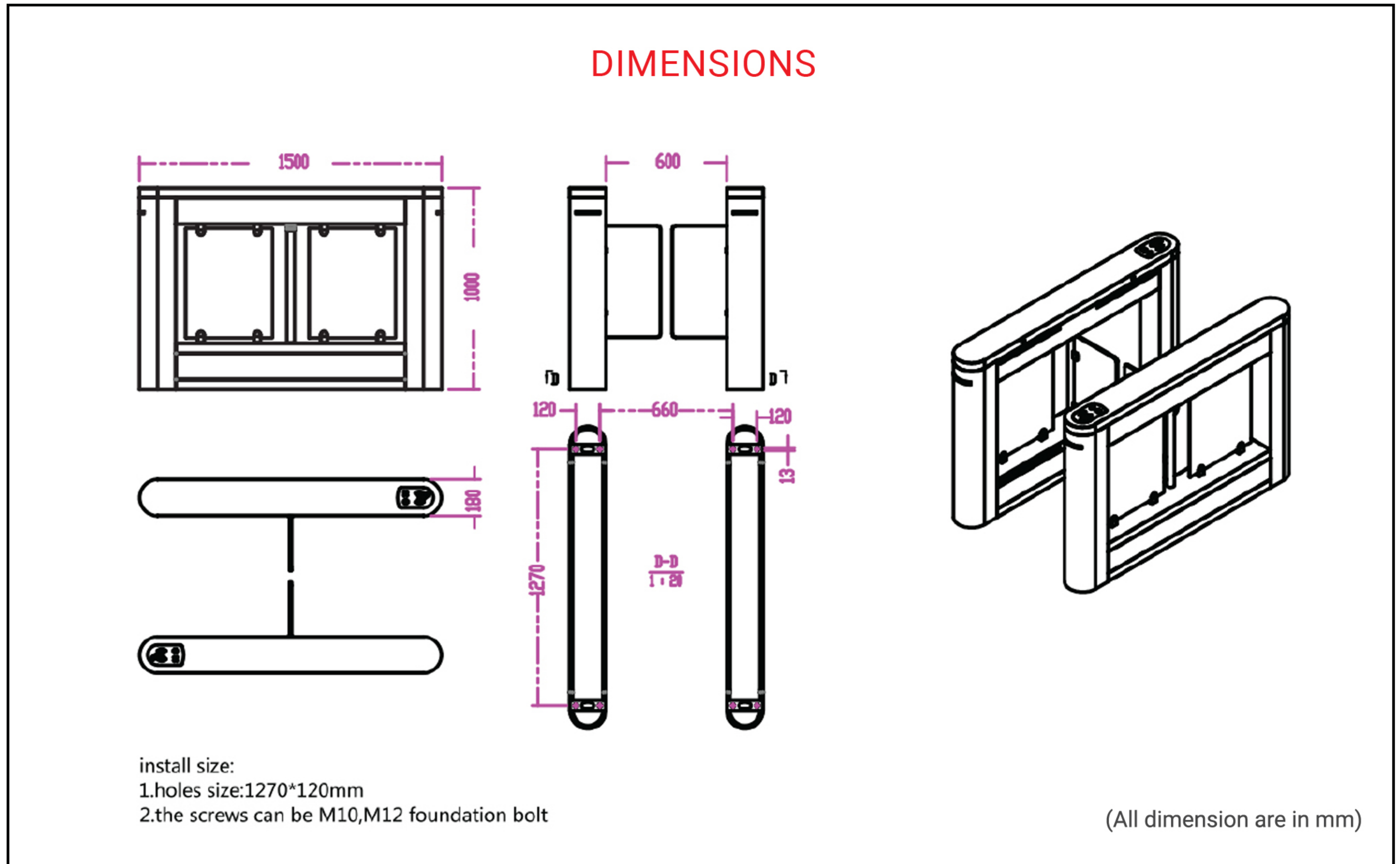
The STR-WX-160 offers aisle widths of 600mm for standard pedestrian access and 900mm for wheelchair or material access. The system can also be configured with a combination of standard and wide lanes to meet specific needs.





# SPEEDSTILE

STR-WX-160





# SPEEDSTILE

## STR-WX-160

DESCRIPTION	PARTICULAR
Make	The Stern
Model	STR - WX - 160
Material of Construction	304 Stainless steel, Brushed hairline finish
Housing Material Thickness	1.5mm
Housing Dimension (in mm)	Length 1500 X Width 160 X Height 1000
Standard Flap Dimension ( in mm )	800 Height X 275 Width X Thickness 10
Wide Flap Dimensions (in mm)	800 Height X 275 Width X Thickness 10
Flap Material	Polycarbonate Glass
Passage or Aisle Width	550mm & 850mm with a variable gap of 50mm or as desired between glass wings for a standard lane & Wide lane respectively
No of Infrared sensors	7 Pairs
Location of sensors	3 On Top and 4 on the bottom
Mains	AC 230V $\pm$ 10%, 50 Hz
Drive	24V DC Motor
Flap Speed	0.2 Seconds ( Adjustable )
Hold open time	5 Seconds ( Adjustable )
Direction of Operation	Bi-directional, can also be programmed ot Uni-directional
Power Consumption	40W
Working Temperature	-.25°C ot +70°C
Condensation	<90%, No Condensation
Throughput	35 Persons or more / Min.excluding card validation time.
Signal	Dry Contact
Duty Cycle	100%
Application	Indoor / Outdoor
Ingress Protection	IP 54
Emergency/Safety	Free passage when power off
MCBF	More than 5 Million Cycle
Noice during operation	50 dB
Weight of the Product	80Kg/Unit

